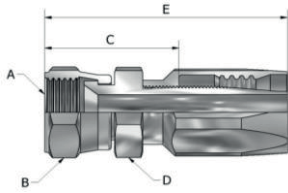


DCR504 SERIES(Female JIC 37° Swivel Straight)

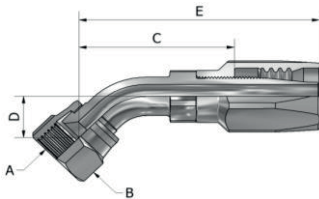
LIST



PART NUMBER	Products Description									
	Hose In-Dia	Thread UNF	Nut Hex		Tail-Growth		Nipple Hex		Overall Length	
			MM	Inch	MM	Inch	MM	Inch	MM	Inch
			A		B		C		D	
DCR504-07-04	1/4	7/16-20	14.3	0.56	30.9	1.22	14.3	0.56	49.9	1.96
DCR504-09-06	3/8	9/16-18	17.5	0.69	34.2	1.35	17.5	0.69	57.2	2.25
DCR504-10-06	3/8	5/8-18	19.0	0.75	35.6	1.40	19.0	0.75	58.6	2.31
DCR504-12-06	3/8	3/4-16	22.2	0.87	40.1	1.58	22.2	0.87	63.1	2.48
DCR504-12-08	1/2	3/4-16	22.2	0.87	42.8	1.69	22.2	0.87	71.8	2.83
DCR504-14-08	1/2	7/8-14	25.4	1.00	45.4	1.79	25.4	1.00	74.4	2.93
DCR504-14-10	5/8	7/8-14	25.4	1.00	46.4	1.83	25.4	1.00	78.9	3.11
DCR504-14-12	3/4	7/8-14	25.4	1.00	46.9	1.85	25.4	1.00	86.9	3.42
DCR504-21-16	1"	1-5/16-12	38.0	1.50	48.5	1.91	38.0	1.50	80.5	3.17
DCR504-26-20	1-1/4	1-5/8-12	50.0	1.97	58.0	2.28	41.0	1.61	92.5	3.64
DCR504-30-24	1-1/2	1-7/8-12	55.0	2.17	60.6	2.39	46.0	1.81	97.6	3.84
DCR504-40-32	2"	2-1/2-12	73.0	2.87	84.5	3.33	63.5	2.50	131.0	5.16

DCR544 SERIES(Female JIC 37° Swivel 45° Elbow)

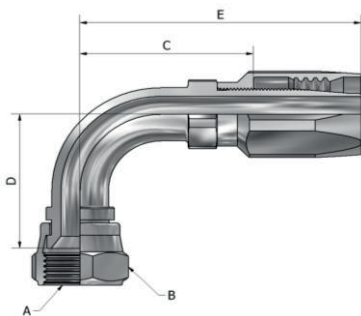
LIST



PART NUMBER	Products Description									
	Hose In-Dia	Thread UNF	Nut Hex		Tail-Growth		Drop		Overall Length	
			MM	Inch	MM	Inch	MM	Inch	MM	Inch
			A		B		C		D	
DCR544-07-04	1/4	7/16-20	14.3	0.56	34.2	1.35	10.0	0.39	53.2	2.09
DCR544-09-06	3/8	9/16-18	17.5	0.69	39.8	1.57	11.0	0.43	62.8	2.47
DCR544-12-08	1/2	3/4-16	22.2	0.87	52.9	2.08	15.0	0.59	81.9	3.22
DCR544-26-20	1-1/4	1-5/8-12	50.0	1.97	103.1	4.06	45.0	1.77	137.6	5.42

DCR594 SERIES(Female JIC 37° Swivel 90° Elbow)

LIST



PART NUMBER	Products Description									
	Hose In-Dia	Thread UNF	Nut Hex		Tail-Growth		Drop		Overall Length	
			MM	Inch	MM	Inch	MM	Inch	MM	Inch
			A		B		C		D	
DCR594-07-04	1/4	7/16-20	14.3	0.56	29.5	1.16	21.0	0.83	48.5	1.91
DCR594-09-06	3/8	9/16-18	17.5	0.69	39.4	1.55	23.0	0.91	62.4	2.46
DCR594-12-08	1/2	3/4-16	22.2	0.87	49.0	1.93	31.0	1.22	78.0	3.07
DCR594-14-10	5/8	7/8-14	25.4	1.00	51.0	2.01	34.0	1.34	83.5	3.29
DCR594-17-12	3/4	1-1/16-12	31.8	1.25	64.3	2.53	53.0	2.09	104.3	4.11
DCR594-21-16	1"	1-5/16-12	38.1	1.50	67.0	2.64	70.0	2.76	99.0	3.90
DCR594-26-20	1-1/4	1-5/8-12	50.0	1.97	84.5	3.33	85.0	3.35	119.0	4.69